

OG3 10L/Min Oval Gear Meter

Technical Product data sheet



Features

- Excellent chemical resistance
 - Rugged construction
 - High visibility
 - Individual calibration
 - High viscosity capability
 - Low pressure loss
 - No flow conditioning required
 - Compact meter assembly
 - Hall, reed switch or Namur sensor
 - Accuracy 0.5% FSD water
1.0% reading oil
 - $\pm 0.5\%$ reading *
 - 0.1% repeatability
 - IP67/NEMA 4 protection
 - Models to 700 Bar
 - Non-metallic option
- * When used with our metra-smart instrument

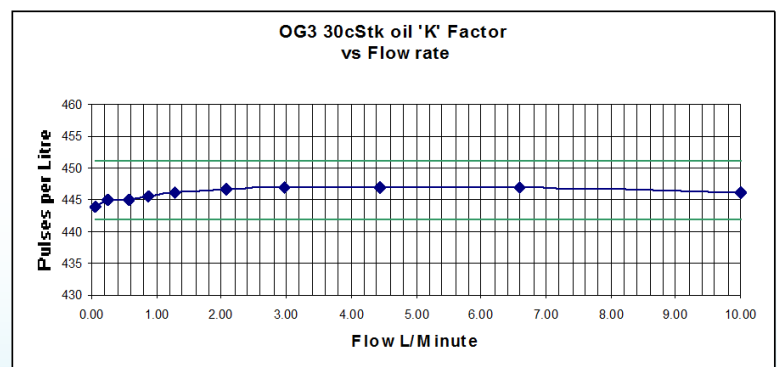
Ideal for

- ◆ Engine test
- ◆ Critical oil flow
- ◆ High viscosity fluids
- ◆ OEM equipment

OG3 10L/Min Oval Gear Meter

The compact rugged OG3 oval gear flowmeter is designed to give high performance with a low cost of ownership. It has a standard flow range from 0.05 to 10 L/Min on 30 Cstk oil and 0.5 to 10 L/min on water like liquids. It can have totally non-metallic wetted components, PEEK™, ceramic and an elastomer which makes this the ideal choice for the metering of aggressive chemicals. The standard inlet and outlet are ½" female threads. For OEM use alternatives, including manifold mountings, are available. The standard model is 316 St St with Viton™ 'O' ring seal.

At the heart of the meter are a pair of toothed oval gears one of which contains chemically resistant magnets, the gears rotate freely on robust bearings. Rotation is detected through the chamber wall by a Hall Effect detector or a reed switch giving approximately 400 pulses per litre passed. The output is an NPN pulse or a voltage free contact closure either of which is readily interfaced with most electronic display or recording devices. This combination of materials and technology ensures a long life product with reliable, accurate operation throughout.



Taniya Infratech Co., Ltd.

965/234 Rangsit-Nakornnayok, Prachathipat, Thunyaburi, Pathumthani 12130

Tel : 02-5498009 Fax : 02-5498010

www.taniyainfratech.com, www.thaiflowmeter.com Email : info@taniyainfratech.com

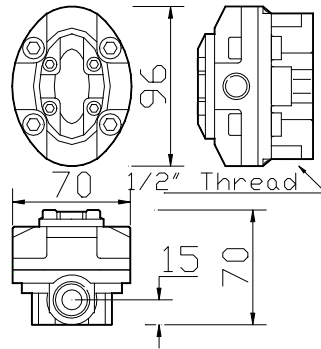
OG3 10L/Min Oval Gear Meter

Order Codes

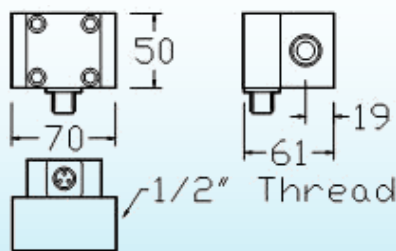
Model	OG3
Body mat'l	S - 316 St St 50 bar std A - Aluminium 10bar max P - PEEK™ 10 bar max
Temp rating	S = 80°C / 158°F T = 100°C / 212°F U = 150°C / 300°F
Pressure Rating	5 - 50 Bar 750 PSI (St St) 1 - 10 Bar 150 PSI (Al/ PEEK™) 4 - 400 Bar 5880 PSI (St St) 7 - 700 Bar 10150 PSI (St St)
Seal material	V - Viton™ N - Nitrile E - EPDM K - Kalrez
Detector type	H - Hall Effect R - Reed switch N - Namur
Pipe thread	H - 1/2" (OG3 std)
Connections	B - BSP F N - NPT F F - Flanged (specify)

e.g. A stainless steel meter rated at 80°C, 50 Bar, with Viton™ seal, Hall effect detector and a 1/2" BSP thread would have the order code :- **OG3-SS5-VHH-B**

Sample product codes ⇒	Stainless standard OG3-SS5-VHH-B	Aluminium standard OG3-AS1-VHH-B	PEEK™ standard OG3-PS1-VHH-B
Flow range			
- Water	0.5 - 10.0 LPM	0.5 - 10.0 LPM	0.5 - 10.0 LPM
- 30 cSt Oil	0.05 - 10.0 LPM	0.05 - 10.0 LPM	0.05 - 10.0 LPM
Wetted mats			
- Body	316 St St	Aluminium	PEEK™
- Gears	Carbon filled PEEK™	Carbon filled PEEK™	Carbon filled PEEK™
- Seal	Viton™	Viton™	Viton™
- Magnet	Ceramic	Ceramic	Ceramic
Accuracy			
Water	± 0.5 % FSD	± 0.5 % FSD	± 0.5 % FSD
- 30 cSt oil	± 1.0 % Reading	± 1.0 % Reading	± 0.5 % FSD
Repeatability	± 0.1%	± 0.1%	± 0.1%
Detector Type	Hall effect	Hall effect	Hall effect
Terminations	Via M20 cable gland	MIL style instrument socket	4 Pin M12
Approx 'K' factor - Pulses/Litre	400	400	400

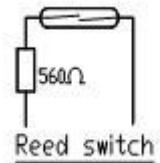


316 St St body

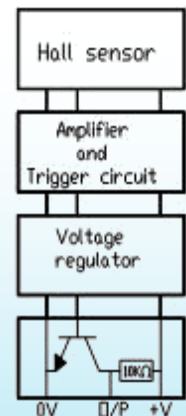


PEEK™ & Aluminium body

Weight in kg		
St St	- 50 Bar	1.350
Peek™	- 10 Bar	0.230
Aluminium	- 10 Bar	0.422
St St	- 400 Bar	3.000
St St	- 700 Bar	9.000



Reed switch



Sensor block diagram