

# Beverage meter

## Technical Product data sheet



### Beverage meter

This flowmeter is designed specifically for the drinks dispense industries including beer wines and spirits. They give high performance and competitive pricing with a flow range up to 10 litres per minute. They have totally non-metallic wetted components which makes them the ideal choice for the metering of food based products and even ultra-pure water. The standard inlet tubes are  $\frac{3}{8}$ " push on pipe connectors, for OEM use alternatives are available.

The bearings are made of sapphire for long life and reliability, the body is moulded in a choice of thermo-plastics (PVDF as standard) and the 'O' ring seal is typically Viton™.

At the heart of the meter is a precision turbine that rotates freely on robust sapphire bearings and it contains chemically resistant ceramic magnets that are detected through the chamber wall by a Hall Effect detector. The output is a stream of NPN pulses that are directly interfaced with the electronic display. This combination of materials and technology ensures a long life product with reliable operation throughout.



#### Features

- Low cost
- PVDF body
- Sapphire bearings
- Hall Effect sensor
- Pulse output
- 10 Bar rating
- Viton™ seal as std.
- $\frac{3}{8}$ " John Guest style
- 0.1% Repeatability
- 5 to 24 V dc
- 0.150 kg

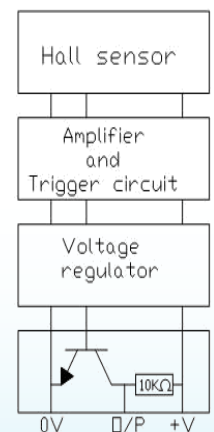
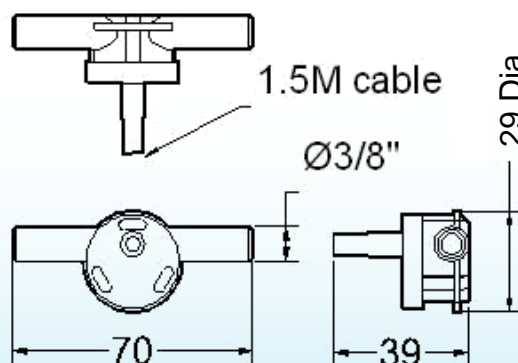
#### Ideal for

- ◆ Drinks dispensing
- ◆ Beer monitoring
- ◆ Cooling equipment
- ◆ Semiconductor plant

Model	Flow range L/Min	Linearity % FSD	Typical Freq. Hz.	Approx. 'K' Factor
300-010	0.6 - 10	1.0	235	1420

#### Standard Materials of Construction

- Body and cap - PVDF
- 'O' Ring seal - Viton
- Magnets - Ceramic
- Bearings - Sapphire



Sensor block diagram

